

Railway Scales

Electronic Railroad Truck Scales

Railway Scales



Measuring in Dynamic mode

- 1- Wheel by Wheel
- 2- Axle by Axle

- 3- Bogie by Bogie
- 4- Wagon by Wagon

Designed to meet rugged railway weighing challenges

All kinds of railway scales by Towzin Electric Co. is engineered to give the most advanced alternative available in today's railway scales. Designed for accuracy in any environment using the latest technology in electronics and mechanical design, to assure reliability and long life.

Recommended for static weighing

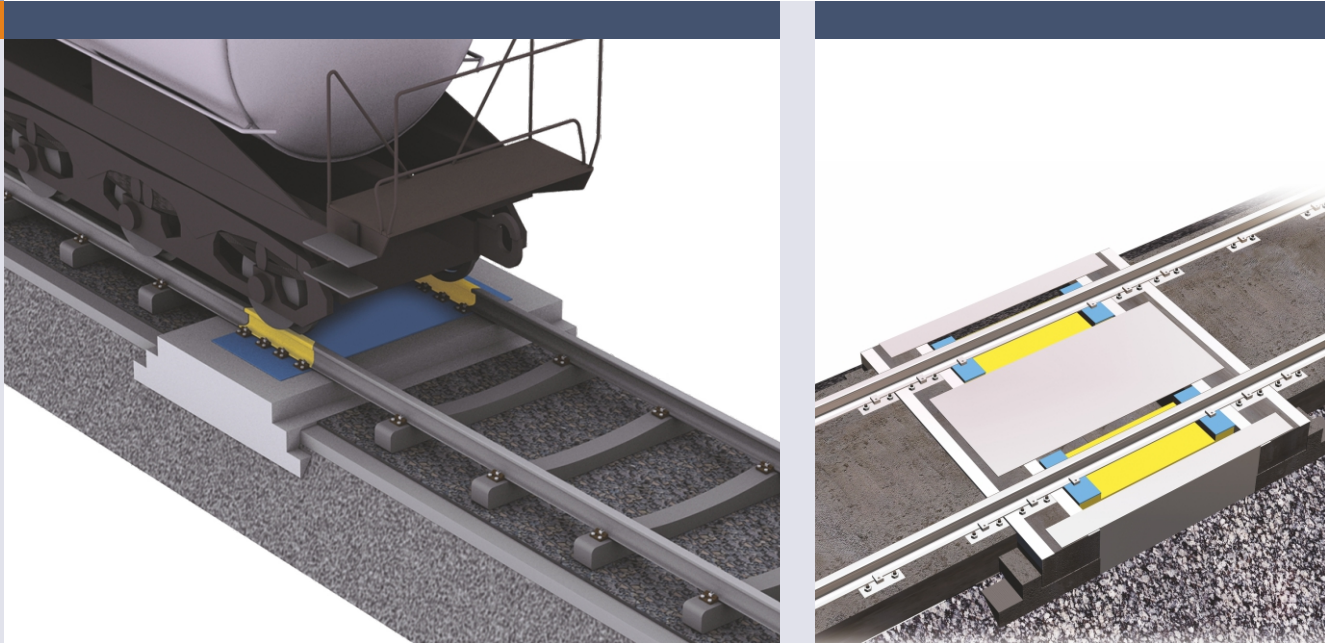
Railway Scales



This weighing system is usually used for testing newly serviced or new wagons or locomotives to measure the load weight on each wheel. This is to make sure that total weight of wagon or locomotive is distributed evenly on all the axles. The only designer of Tear Load Press & Level Calibration in Asia.

Railway Scales

Axle by Axle Truck Scales



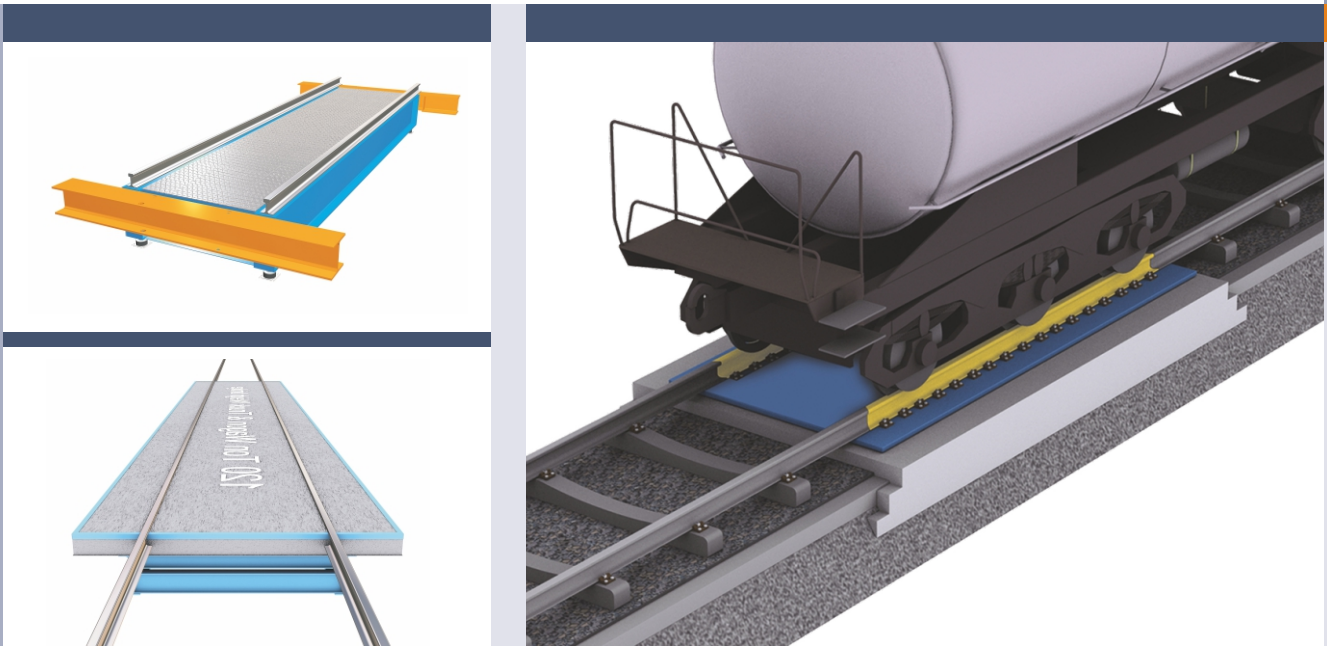
Axle by Axle
Truck Scales

- ✓ Compatible for weighing all kinds of tracks in Dynamic and Static modes
- ✓ Recommended for Dynamic weighing
- ✓ Safe overload of platform: 40 tons
- ✓ capacity: 30 tons for each Axle
- ✓ Ability to measure and report the weight of:
Each axle (accuracy: $\pm 0.5\%$)
Each wagon (accuracy: $\pm 2\%$)
- ✓ Allowable speed in dynamic mode: 5 - 15 km/h

Railway Scales

Bogie by Bogie Truck Scales

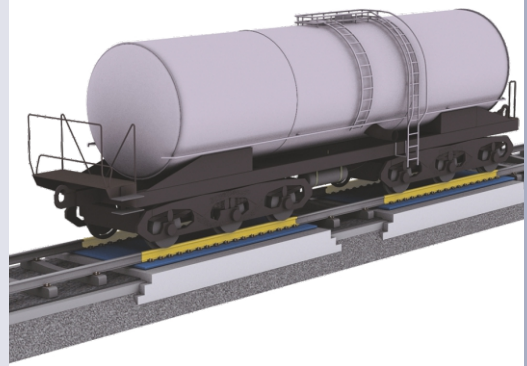
Bogie by Bogie Truck Scales



- ✓ Compatible for weighing all kinds of tracks in Dynamic and Static modes
- ✓ Recommended for Dynamic weighing
- ✓ capacity: 80 tons for each Bogie
- ✓ Safe overload of platform: 120 tons
- ✓ Ability to measure and report the weight of:
Each bogie (accuracy: $\pm 0.5\%$)
Each wagon (accuracy: $\pm 1\%$)
- ✓ Allowable speed in dynamic mode: 5 - 15 km/h

Railway Scales

Wagon by Wagon Truck Scales



Wagon by Wagon
Truck Scales

- ✓ Ability By Wagon Track Scales
- ✓ For weighing all types of wagons
- ✓ capacity: 150 tons
- ✓ Safe overload: 200 tons
- ✓ Accuracy in Dynamic measuring: $\pm 0.5\%$
- ✓ Allowable speed in dynamic mode: 5 - 15 km/h